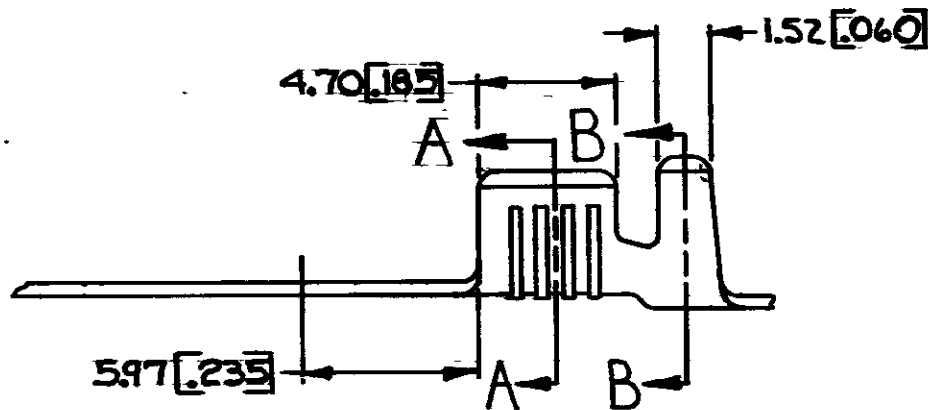
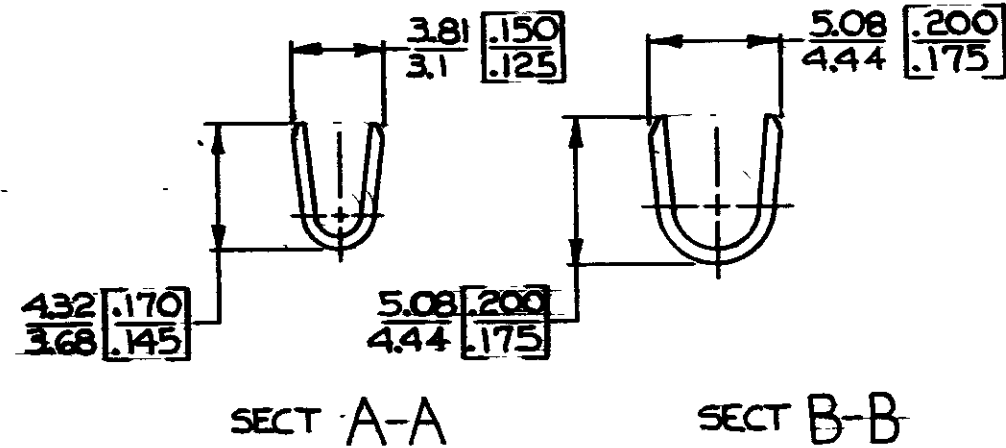
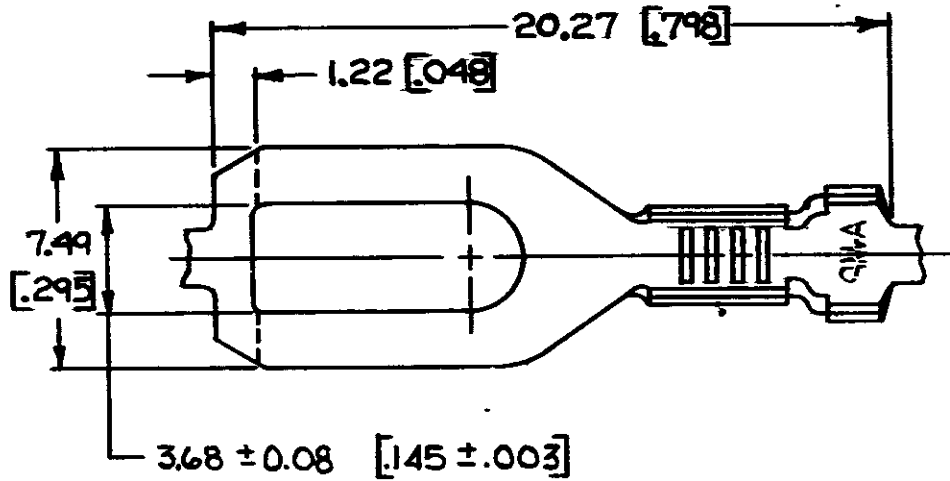
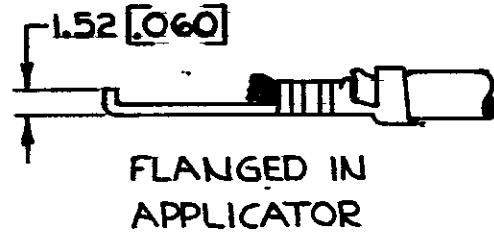


© COPYRIGHT 1964 BY AMP INCORPORATED, HARRISBURG, PA.  
 ALL INTERNATIONAL RIGHTS RESERVED. AMP INCORPORATED PRODUCTS  
 COVERED BY U. S. AND FOREIGN PATENTS AND/OR PATENTS PENDING.

REVISIONS					
P	ZONE	LTR	DESCRIPTION	DATE	APPROVED
✓		D	REDRAWN/REVISED A-3943	6/21/78	DEF/SS
✓		E	INSUL. SUPP LENGTH AF-0781	2-20-85	RLS/GY
✓		F	REVISED AF1994	7/1/86	SS/RPF
✓		G	OBS -1 AF-4503	5/19/88	GY



OBSOLETE

M 3.5 #6	0.8 - 2.0mm <sup>2</sup> [18 - 14]	2.54 - 3.56 [100 - 140]	TIN NONE	0.46 [018] BRASS	60773-2A 60773-2 60773-1A 60773-1
STUD SIZE	WIRE SIZE	INSULATION RANGE	FINISH	MATERIAL	PART NO

UNLESS OTHERWISE SPECIFIED DIMENSIONS ARE IN MILLIMETERS TOLERANCES ON: DECIMALS ±0.30 [015] ANGLES ±1°	CONTRACT NO	AMP INCORPORATED Harrisburg, Pa.
	DR CHKD APPD APPD DSGN APPD OTHER APPD	
MATERIAL SEE TABLE	NAME SPADE	SIZE B
FINISH SEE TABLE	DRAWING NO 60773	CODE IDENT NO 00779
	SCALE	SHEET

- CONTINUOUS STRIP, ON REELS
  - DIMENSIONS IN BRACKETS ARE IN INCHES.
- ⚠ SUFFIX LETTER MUST BE USED ONLY WHEN ORDERING APPLICATOR TOOLING.

**METRIC**